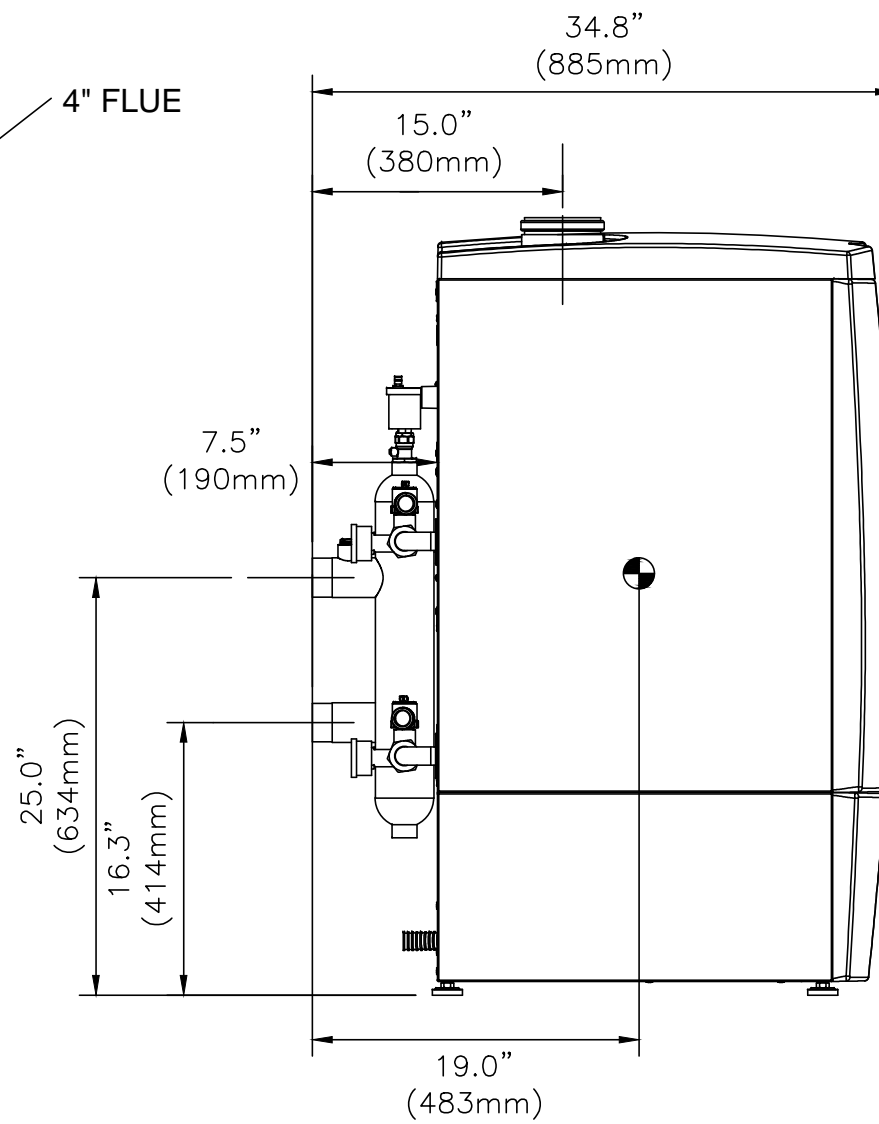
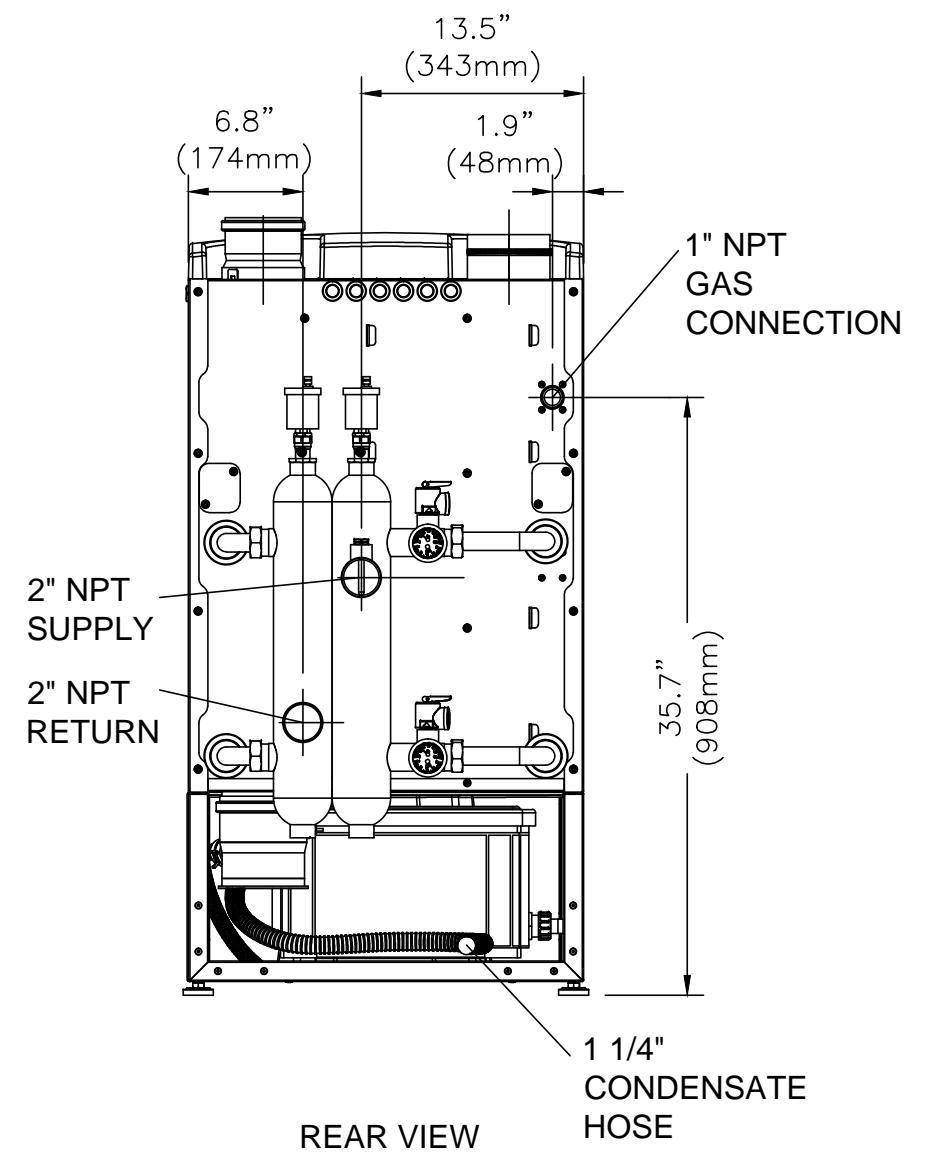


FRONT VIEW




SIDE VIEW



REAR VIEW

NOTES:

- 1.)  SYMBOL INDICATES CENTER OF GRAVITY
- 2.) DIMENSIONS ARE NOMINAL AND SUBJECT TO MANUFACTURING VARIATION AND SHOULD NOT BE USED FOR "ROUGH IN".